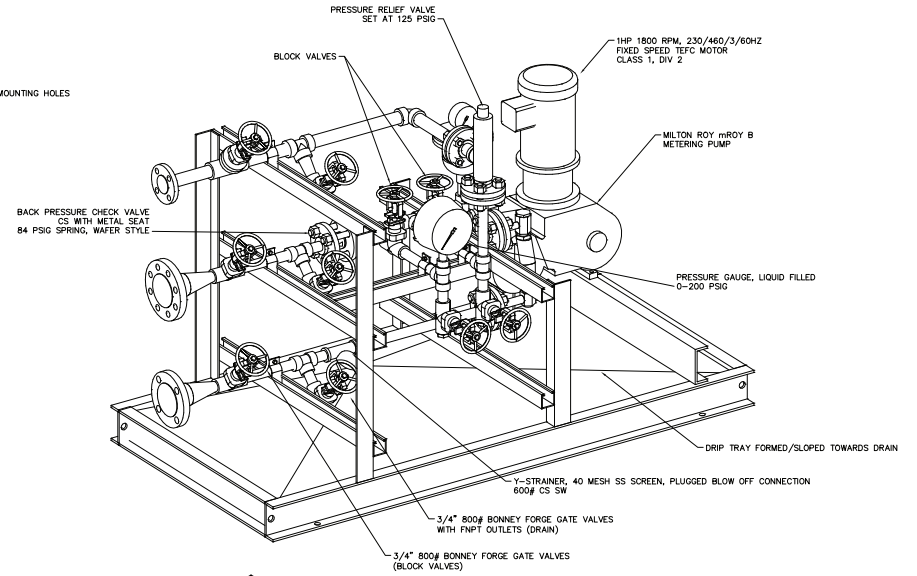
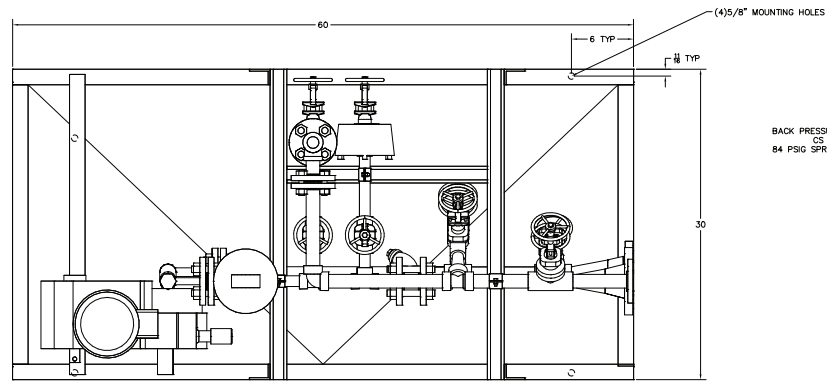
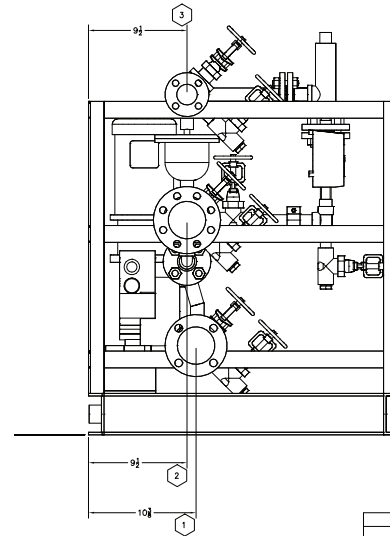
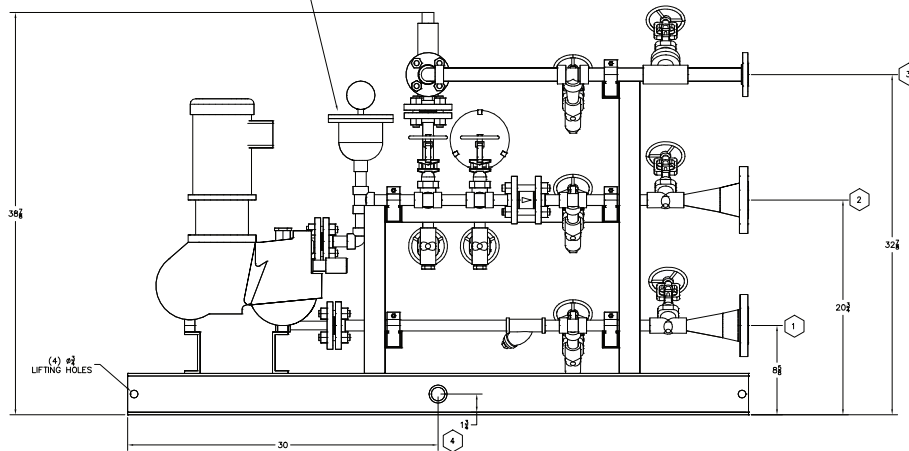


| CONNECTION TABLE LIST | | |
|-----------------------|-----------------------------|-------------------------|
| CONNECTION NUMBER | CONNECTION SIZE & TYPE | CONNECTION NAME |
| 1 | 2" 150# RF ANSI FLANGE | SUCTION CONNECTION |
| 2 | 2" 300# RF ANSI FLANGE | DISCHARGE CONNECTION |
| 3 | 1" 150# RF ANSI FLANGE | RELIEF VALVE CONNECTION |
| 4 | 1" FNPT 3000# HALF COUPLING | DRAIN CONNECTION |



PULSATION DAMPENER WITH 316SS/EPDM BLADDER



NOTES:

- UNLESS OTHERWISE SPECIFIED ALL DIMENSIONS ARE IN INCHES.
- DIMENSIONS ENCLOSED WITHIN PARENTHESES INDICATE REFERENCE.
- ALL FRAME MATERIAL A-36 CARBON STEEL WITH EPOXY COATING, COLOR BLUE.
- ALL PIPE CARBON STEEL.
- DIMENSIONAL TOLERANCE $\pm 1/32"$
- APPROXIMATE SKID WEIGHT: 490 LB
- DO NOT SCALE DRAWING.
- FITTINGS: A105 CS, SW (2" FLANGES: WELDNCK) PIPE: A106 GR B, SCH 80 (TOE NIPPLES: SCH 160) PER PIPING CLASS ATN (SUCTION), BTN (DISCHARGE)
- PLUG ALL OPEN THREADED CONNECTIONS.

DO NOT SCALE DRAWING

| SUPERIOR INDUSTRIAL EQUIPMENT COMPANY | | | | |
|---------------------------------------|-----------------------------------|----------|----|-------|
| CUSTOMER: [REDACTED] | | | | |
| 1 | ISSUED FOR CUSTOMER CONSIDERATION | 08/01/14 | SY | KB |
| 0 | RELEASED FOR APPROVAL | 08/01/14 | SY | KB |
| REV | DESCRIPTION | DATE | BY | CHK'D |