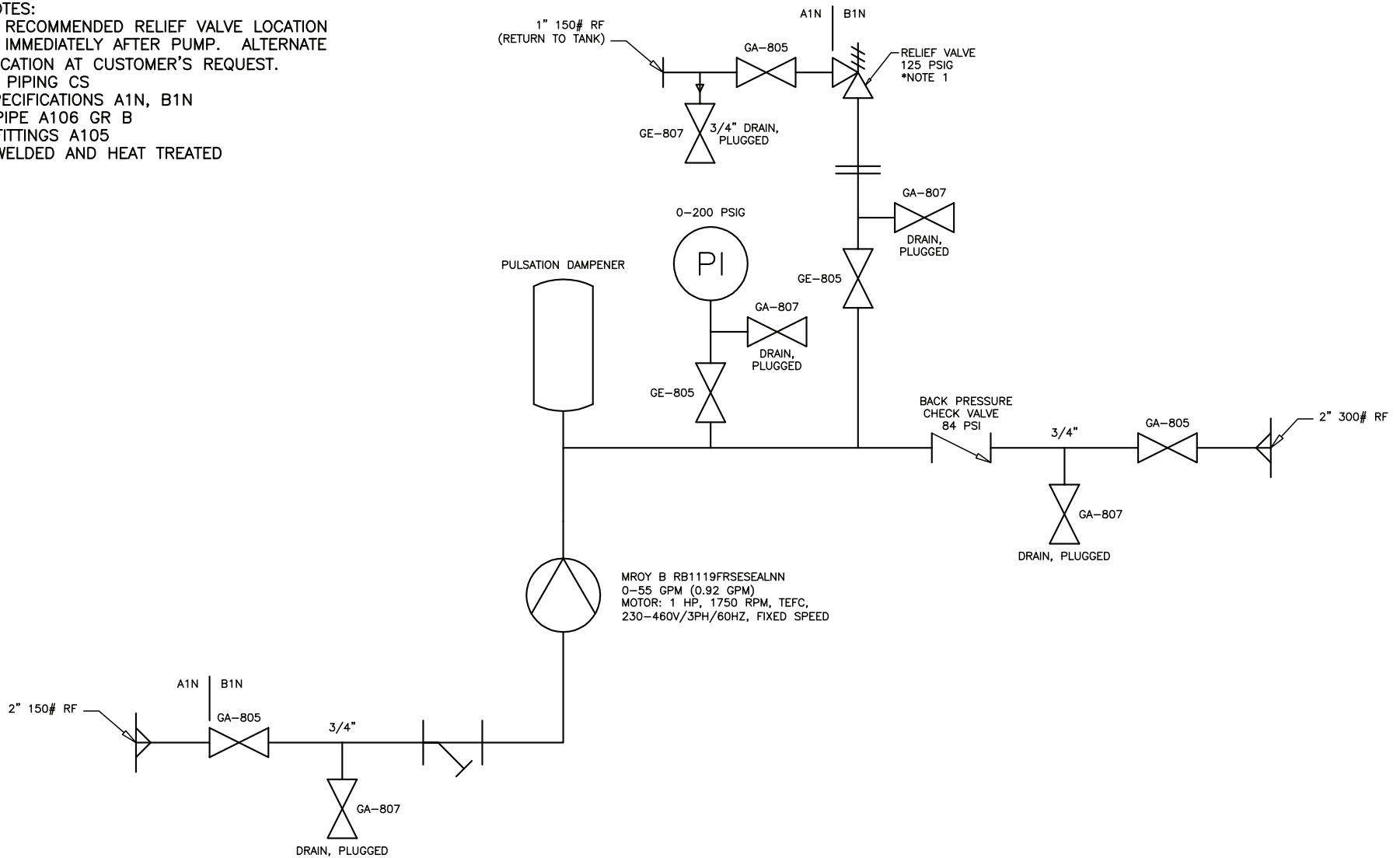


- NOTES:
 1. RECOMMENDED RELIEF VALVE LOCATION IS IMMEDIATELY AFTER PUMP. ALTERNATE LOCATION AT CUSTOMER'S REQUEST.
 2. PIPING CS SPECIFICATIONS A1N, B1N
 -PIPE A106 GR B
 -FITTINGS A105
 -WELDED AND HEAT TREATED



MROY B RB1119FRSESEALNN
 0-55 GPM (0.92 GPM)
 MOTOR: 1 HP, 1750 RPM, TEFC,
 230-460V/3PH/60HZ, FIXED SPEED

REV	DESCRIPTION	DATE	BY	CHK'D	TOLERANCES ON DIMENSIONS ARE AS FOLLOWS EXCEPT FOR BASIC DIMENSIONS, MAT'L STOCK SIZES AND TOLERANCES SPECIFIED OTHERWISE.	SUPERIOR INDUSTRIAL EQUIPMENT COMPANY		
2	REVISED	12/11/12	PR	KB	ONE DECIMAL ±.060	TITLE CAUSTIC FEED SYSTEM P&ID		
1	FOR CONSTRUCTION	12/6/12	PR	KB	TWO DECIMALS ±.030	JOB		
0	FOR APPROVAL	11/6/12	PR	KB	THREE DECIMALS ±.015	DRAWN BY P. ROGOWSKI	DATE 12/11/12	SHEET OF
					ANGULAR DIMENSIONS ± 1	SIZE A	DRAWING NUMBER C12269-101	REV. 2
					CAST DIMENSIONS ±.100			
					MATERIAL STOCK SIZE TOLERANCES SHALL CONFORM TO APPLICABLE STANDARD MILL VALUES UNLESS COVERED WITHIN A SPECIFIED MATERIAL SPECIFICATION			
					GEOMETRIC SYMBOLOGY PER ANSI Y14.5			