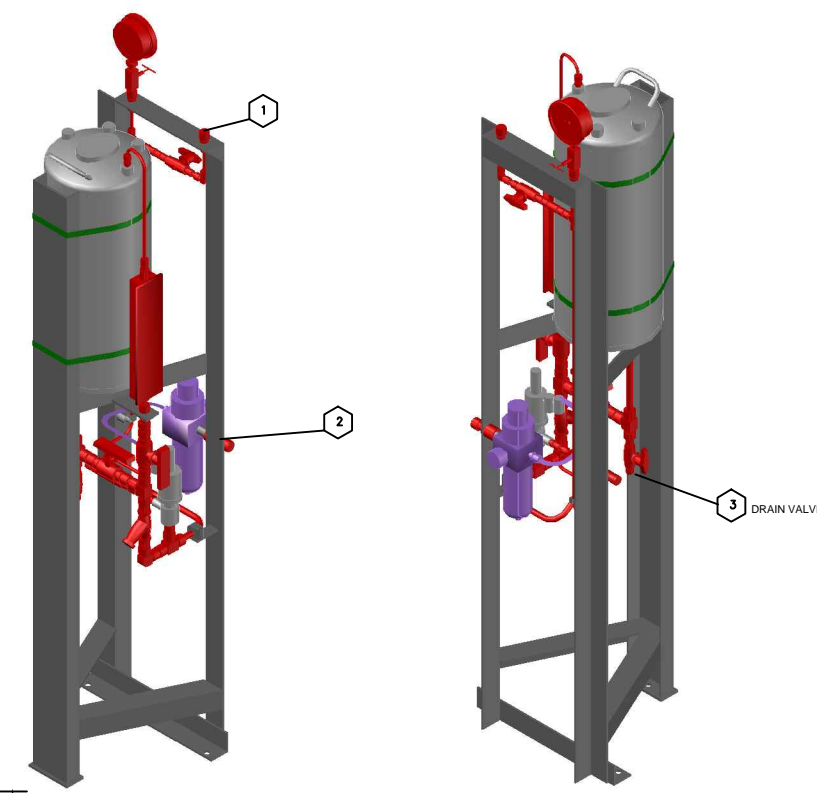
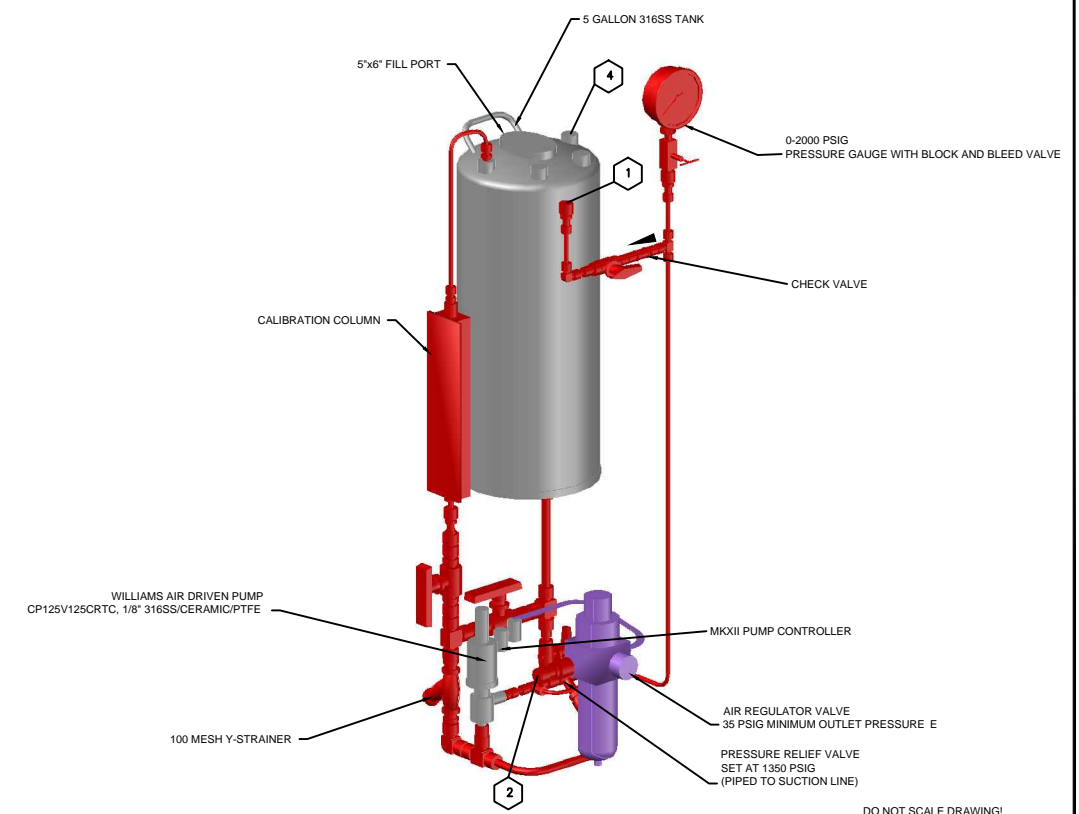
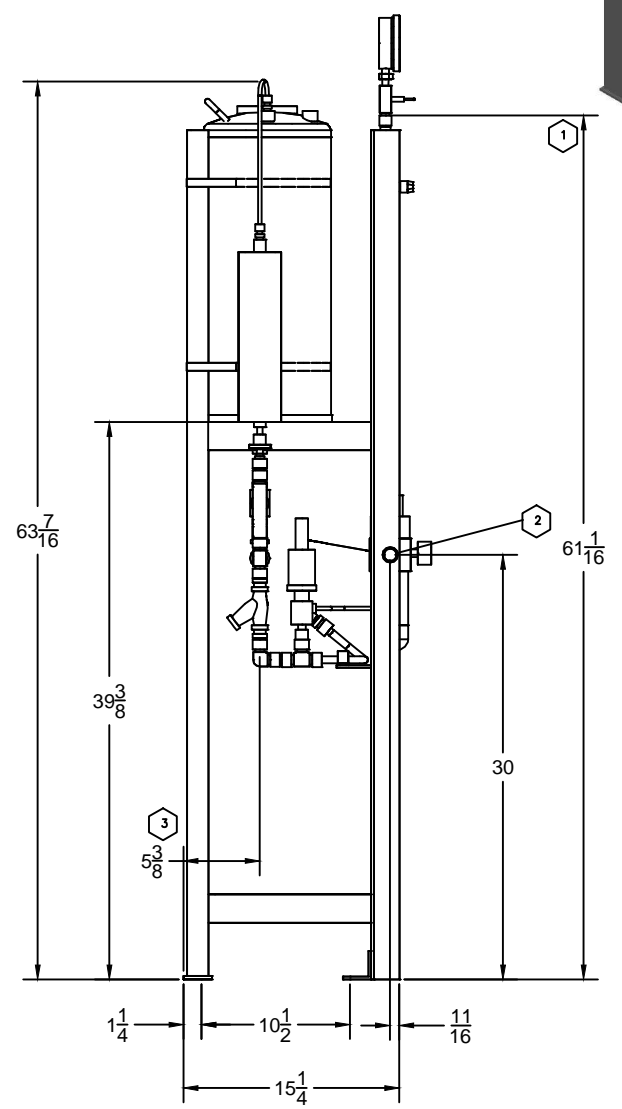
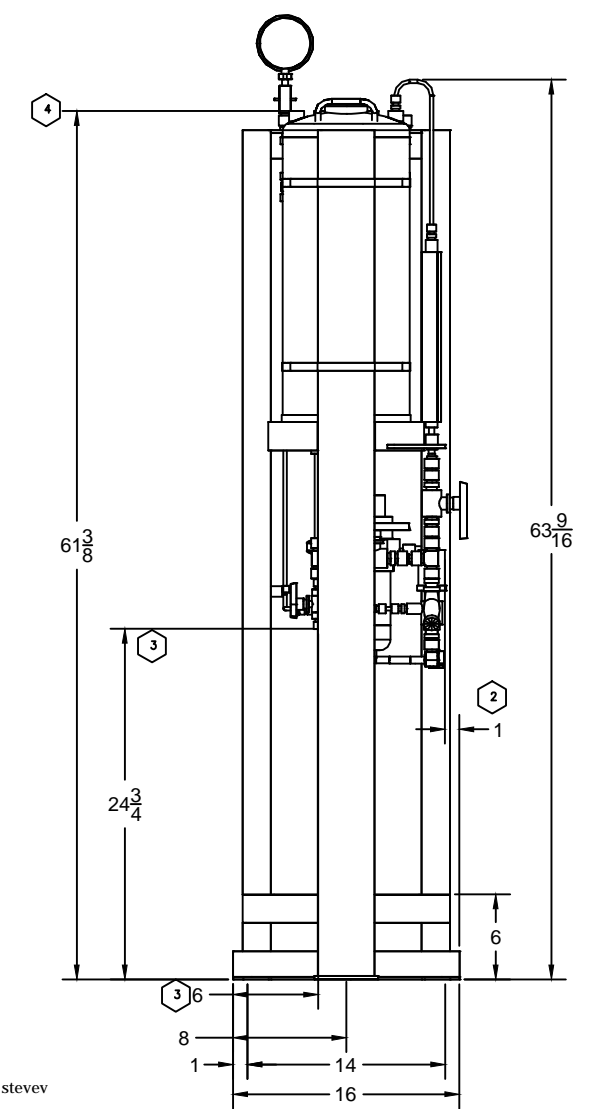


CONNECTION TABLE LIST		
CONNECTION NUMBER	CONNECTION SIZE & TYPE	CONNECTION NAME
1	1/4\"/>	



- NOTES:**
- UNLESS OTHERWISE SPECIFIED ALL DIMENSIONS ARE IN INCHES.
 - DIMENSIONS ENCLOSED WITHIN PARENTHESES INDICATE REFERENCE.
 - ALL FRAME MATERIAL A-36 CARBON STEEL EPOXY COATING.
 - ALL TUBE AND PIPE 316SS, VITON SEALS
 - DIMENSIONAL TOLERANCE $\pm 1/2"$
 - APPROXIMATE SKID WEIGHT: 150LB.
 - DO NOT SCALE DRAWING.
 - CLEAN DRY AIR OR NITROGEN REQUIRED: 7.4 SCFH @ 40 PSIG MINIMUM.



REV	DESCRIPTION	DATE	BY	CHKD
0	RELEASED FOR APPROVAL		HW	SV