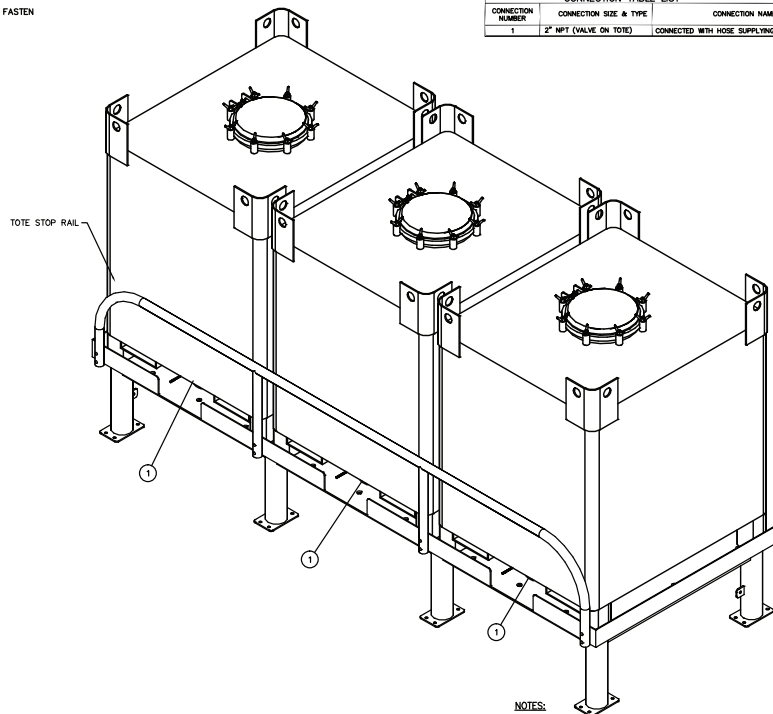
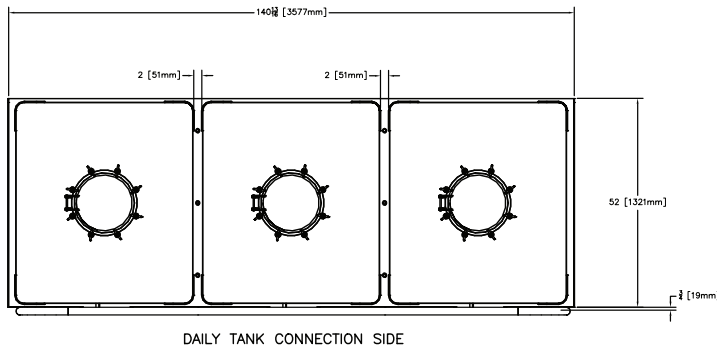


PORTAFEED LOADING/REMOVAL

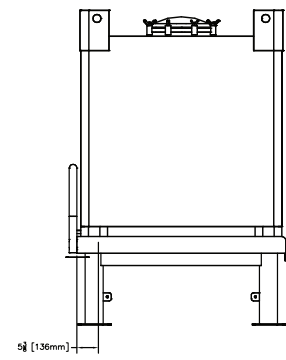
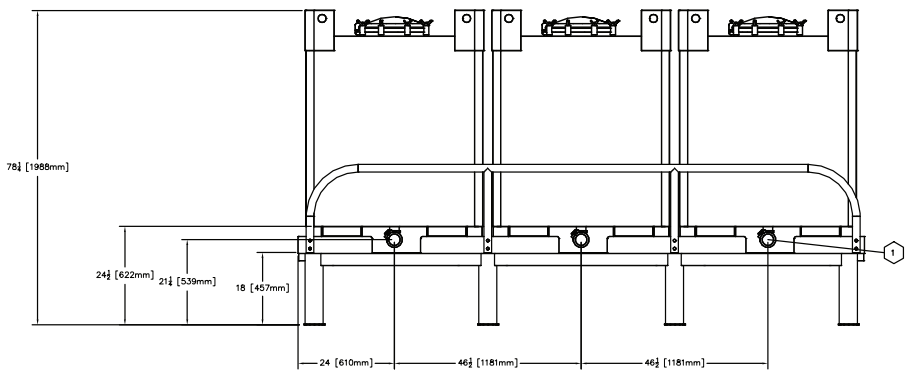
SUPERIOR TO UTILIZE 3/4" HARDWARE AND WILL FASTEN TO HOUSE FRAME

CONNECTION TABLE LIST		
CONNECTION NUMBER	CONNECTION SIZE & TYPE	CONNECTION NAME
1	2" NPT (VALVE ON TOTE)	CONNECTED WITH HOSE SUPPLYING DAY TANKS



- NOTES:
- 1) UNLESS OTHERWISE SPECIFIED ALL DIMENSIONS ARE IN INCHES. DIMENSIONS IN BRACKETS INDICATE MILLIMETERS.
  - 2) DIMENSIONS ENCLOSED WITHIN PARENTHESES INDICATE REFERENCE.
  - 3) ALL FRAME MATERIAL A-36 CARBON STEEL. HOT DIPPED GALVANIZED COATING.
  - 4.) FOR PIPING MATERIALS, REFER TO THE PID.
  - 5.) ALLOW 12" CLEARANCE ON THE TOP & ALL SIDES FOR MAINTENANCE ACCESS, UNLESS NOTED OTHERWISE.
  - 6.) APPROXIMATE SHED WEIGHT:  
DRY: 3,450 LBS  
OPERATING: 16,035 LBS
  - 7.) PIPE CONNECTIONS +/- 1" IN ALL DIMENSIONS.
  - 8.) DO NOT SCALE DRAWING.

NALCO BT-2600, NALCO ELIMI-NOX, TRI-ACT 1800



**SUPERIOR INDUSTRIAL EQUIPMENT**  
C13314-201-PAGE 2 OF 3 82-PU-002, 003, 004

4	REVISED	SV	GM	KB	04/14/14
3	REVISED	SV	GM	KB	03/24/14
2	UPDATED PER CUSTOMER REQUEST	SV	GM	KB	02/13/14
1	RELEASED FOR APPROVAL	SV	GM	KB	03/03/14

DATE	DESCRIPTION - Description	DESIGNED BY	CHECKED BY	APP'D BY	DATE

THIS DRAWING IS SUPERIOR'S PROPERTY AND SHALL BE KEPT IN CONFIDENCE FOR THE PURPOSE, SCOPE AND DURATION OF THE PROJECT. IT IS TO BE USED ONLY FOR THE PROJECT AND NOT TO BE REPRODUCED OR TRANSMITTED IN ANY FORM OR BY ANY MEANS, ELECTRONIC OR MECHANICAL, INCLUDING PHOTOCOPYING, RECORDING, OR BY ANY INFORMATION STORAGE AND RETRIEVAL SYSTEM, WITHOUT THE WRITTEN PERMISSION OF SUPERIOR INDUSTRIAL EQUIPMENT.

3142-01-10-10011031000001

REV - 002

**NEW AMMONIA UREA PLANT  
BOILER CHEMICAL FEED PACKAGES  
GENERAL ARRANGEMENT**

SCALE: - Base only  
DO NOT SCALE

DATE: 04/14/14  
JOB NO: 3142-01-10-10011031000001  
SCALE: - Base only  
DO NOT SCALE

CLIENT REF. - N.E. Clark

Approval Status	Designs	Checker	Date
Drawn	Checked	By	Signature
SV	GM	KB	06/25/14

Accepted with Comment: Resubmit  
Approved without Comment: Resubmit  
Not Accepted, Resubmit

REVIEW: acceptance of this document does not constitute approval of the design or the accuracy of the information contained herein.

Approved & Issued For Project